



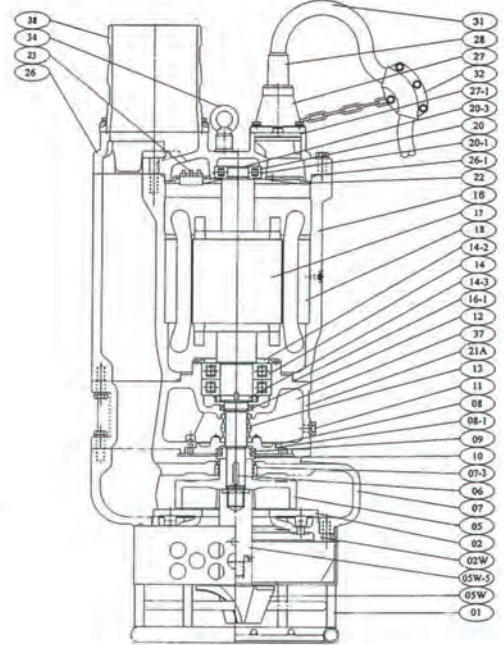
HORMA PUMPS (PTY) LTD

Pump Reconditioning and
General Engineering

SUBMERSIBLE SLURRY PUMPS



PARTS LIST



SAND /SLUDGE /SLURRY PUMPS

■ FEATURES

- HEAVY DUTY CONSTRUCTION
- TOP DISCHARGE DESIGN
- WATER JACKET WITH AXIAL FLOW COOLING
- DOUBLE MECHANICAL SEAL
- BUILT IN AGITATOR, SPECIALLY DESIGNED TO CREATE AN INHERENT MIXING ACTION AT THE PUMP INLET FORCING THE SOLIDS TO MOVE INTO SUSPENSION AND KEEPING THE IMPELLER AND FLOW CHAMBER CLEAR AND UNCLOGGED
- HEAVY DUTY WEAR RESISTANT IMPELLER AND AGITATOR

KZ /SUBMERSIBLE SAND PUMPS

■ APPLICATIONS

DRAINAGE OF NUISANCE WATER CONTAINING SAND, SILT AND SLURRY FROM DAMS, MINES, SEWER SYSTEMS, TUNNELS AND CONSTRUCTION SITES.

KZN /SLUDGE /SLURRY PUMPS

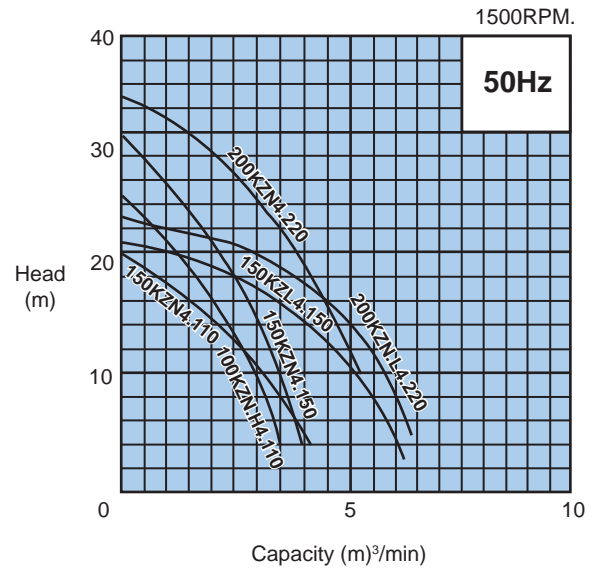
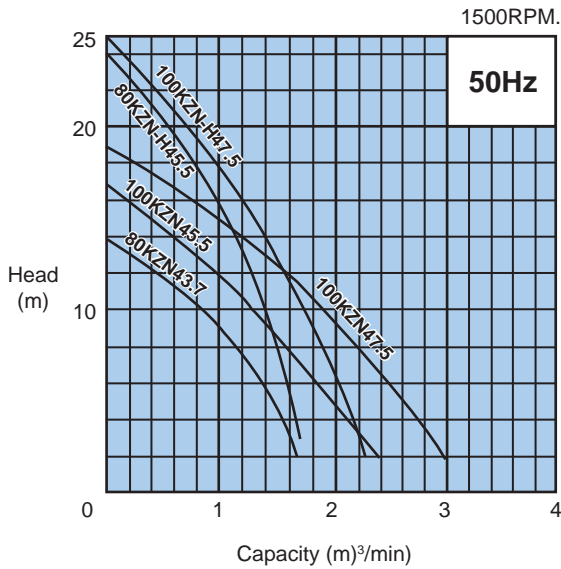
■ APPLICATIONS

MUDDY WATER FROM CIVIL ENGINEERING PROJECTS, MINING AND WASTE WATER PLANTS.

NO	DESCRIPTION	MATERIAL
01	STRAINER (KZ)	ST
01	STRAINER (KZN)	ST
02	WEAR PLATE	HICR
02W	SUCTION COVER HOLDER	FC 200
05	IMPELLER	HICR
05W	AGITATOR	HICR
05W-5	SPINDLE IMPELLER	S45C
06	KEY	SUS 304
07	PUMP HOUSING	FCD 450
07-3	PUMP HOUSING SLEEVE	SKD11
08	OIL CHAMBER COVER	FC 200
08-1	O-RING	NBR
09	LIP SEAL (LOWER)	NBR
10	SHAFT SLEEVE	SKD11
11	PLUGS	SUS 304
12	LIP SEAL (UPPER)	NBR
13	MECHANICAL SEAL	SIC / SIC
14	BEARING (LOWER)	
14-2	BEARING COVER	FCD 450
14-3	ROLLER BEARINGS	ST
16	MOTOR CASING	FC 200
16-1	O-RING	NBR
17	ROTOR SHAFT	SUS 410
18	STATOR	
20	BEARING (UPPER)	
20-1	O RING	NBR
20-3	WAVE WASHER	
21A	OIL HOUSING	FC 200
22	SEPARATOR BOARD	AL
23	OVERLOAD PROTECTOR	
26	UPPER COVER	FCD 450
26-1	O-RING	NBR
27	CABLE GLAND	FC 200
27-1	O-RING	NBR
28	RUBBER SLEEVE	NBR
31	CABLE	PVC
32	CABLE CLAMPS	FC 200
34	HANDLE	ST
37	OIL	R-32
38	DISCHARGE OUTLET	FC 200

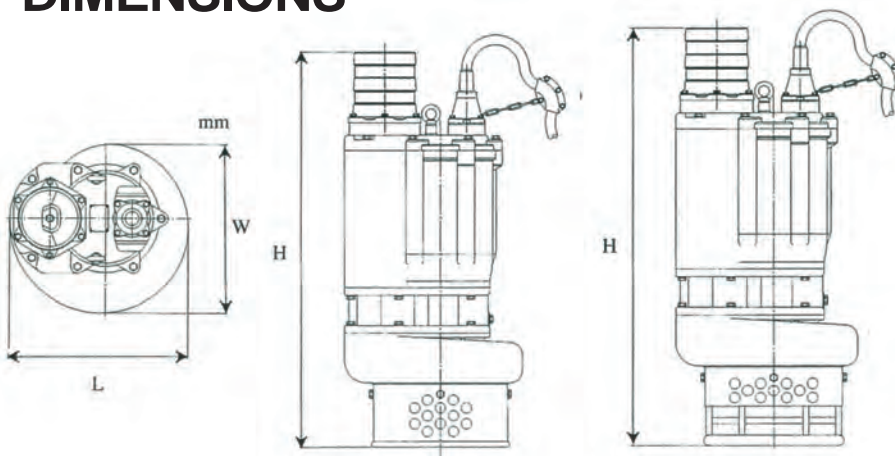
SUBMERSIBLE SLURRY PUMPS

PERFORMANCE CURVE



Pump Type		Output (kW)	Discharge (inch)(mm)	Voltage 50Hz	Discharge		Maximum		Max. Solids (mm)	Weight (Kg)
KZ	KZN				Head m	Capacity m³/min	Head m	Capacity m³/min		
80KZ43.7	80KZN43.7	3.7	3" 80	3phase 400/550 VAC	12	0.50	14	1.7	20	130
80KZ-H45.5	80KZN-H45.5	5.5	3" 80		20	0.55	24	1.7	25	150
100KZ45.5	100KZN45.5	5.5	4" 100		10	1.3	17	2.4	25	150
100KZ47.5	100KZN-H47.5	7.5	4" 100		16	1.2	25	2.3	25	180
100KZ47.5	100KZN47.5	7.5	4" 100		12	1.6	19	3	25	180
100KZ4.110	100KZN-H4.110	11	4" 100		18	1.75	26	3.5	35	245
150KZ4.110	150KZN4.110	11	6" 150		15	2	21	4.2	35	245
150KZ4.150	150KZN4.150	15	6" 150		18	2.5	31	4	35	265
150KZ4.150	150KZN-L4.150	15	6" 150		10	5.2	22	6.1	35	265
200KZ4.220	200KZN4.220	22	8" 200		20	4	35	5.3	35	410
200KZ4.220	200KZN-L4.220	22	8" (200)		15	5	24	6.4	35	410

DIMENSIONS



Pump Type		L	W	H
KZ	KZN			
80KZ43.7	80KZN43.7	420	410	790/820
80KZ45.5	80KZN45.5	420	410	790/820
100KZ45.5	100KZN45.5	420	410	790/820
100KZ47.5	100KZN47.5	420	410	820/840
100KZ47.5	100KZN47.5	420	410	820/840
100KZ4.110	100KZN4.110	565	485	950/1100
150KZ4.110	150KZN4.110	565	485	950/1100
150KZ4.150	150KZN4.150	565	485	950/1100
150KZ4.150	150KZN4.150	565	485	950/1100
200KZ4.220	200KZN4.220	578	543	1280/1325
200KZ4.220	200KZN4.220	578	543	1280/1325

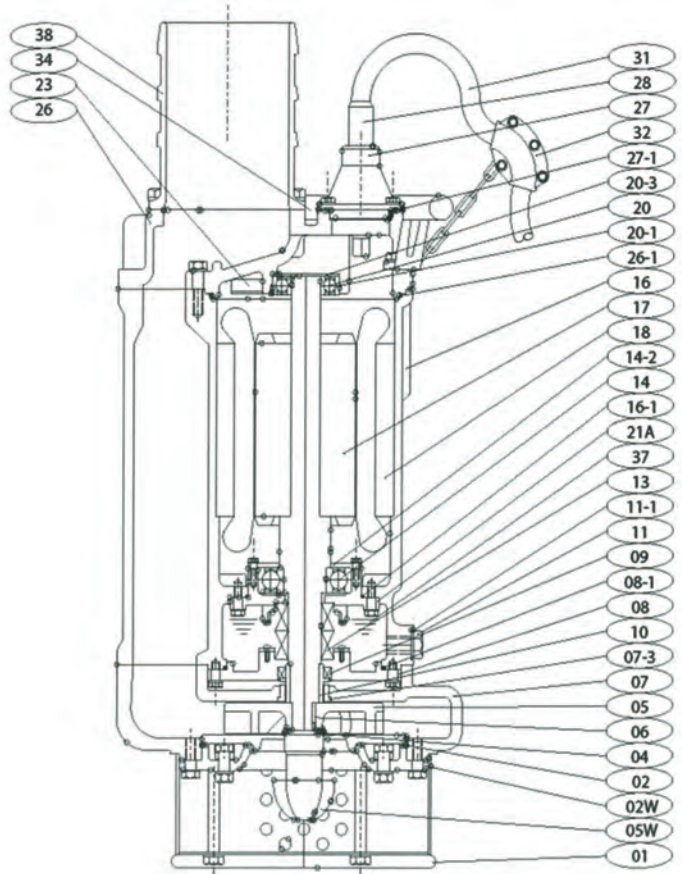
SUBMERSIBLE SLURRY PUMPS



FEATURES

- Heavy duty-construction.
- Top Discharge.
- Water jacket' with axial flow cooling.
- Double mechanical seal.
- Built in agitator, specially designed to create an inherent mixing action at the pump inlet causing the solids to move into suspension and keeping the impeller and flow chamber clear and unlogged.
- Heavy duty wear resistant impeller and agitator.

PARTS LIST



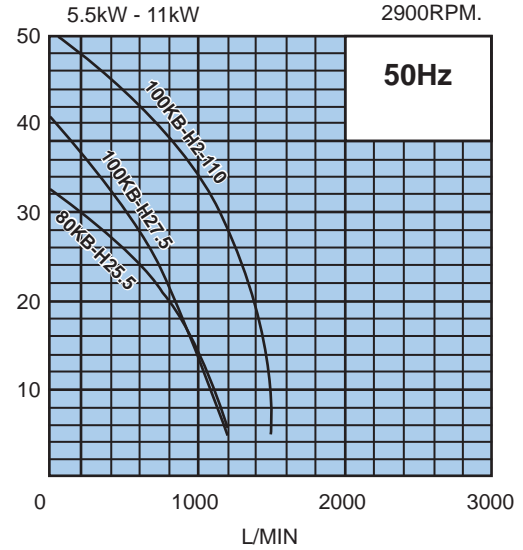
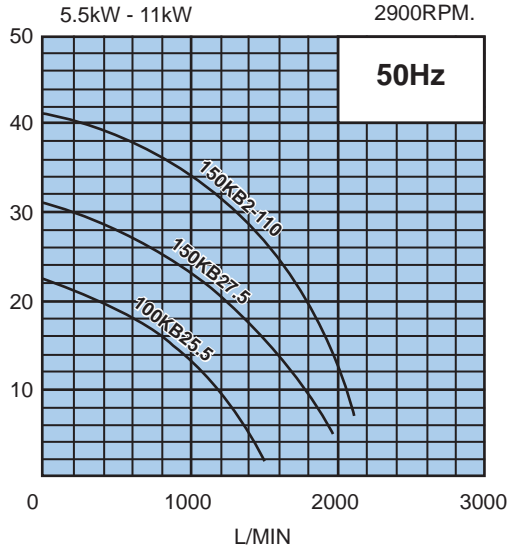
APPLICATIONS

Ground and nuisance water removal drainage from dams, sewer systems, tunnels, river improvement projects, construction sites.

NO.	DESCRIPTION	MATERIAL	NO.	DESCRIPTION	MATERIAL
01	STRAINER	ST	16-1	O-RING	NBR
02	SUCTION COVER	NICR	17	ROTOR SHAFT	SUS 410
02W	SUCTION COVER HOLDER	FC 200	18	STATOR	
04	WASHER	SUS 304	20	BEARING (UP)	
05	IMPELLER	HICR	20-1	O-RING	NBR
05W	AGITATOR	FCD 400	20-3	WASHER ROOFING	
06	KEY	SUS 304	21A	MOTOR BOTTOM COVER	FC 200
07	PUMP HOUSING	FCD 400	23	OVERLOAD PROTECTOR	
07-3	PUMP HOUSING SLEEVE	SKD11	26	UPPER COVER	FCD 400
08	COVER OF OIL CHAMBER	FC 200	26-1	O-RING	NBR
08-1	O-RING	NBR	27	CABLE GLAND	FC 200
09	LIP-SEAL (BOTTOM)	NBR	27-1	O-RING	NBR
10	SHAFT SLEEVE	SKD11	28	RUBBER SLEEVE	NBR
11	PLUGS	SUS 304	31	CABLE	PVC
11-1	O-RING	NBR	32	CABLE CLAMPS	FC 200
13	MECHANICAL SEAL	SIC/CAR	34	HANDLE	ST
14	BEARING (BOTTOM)		37	OIL	R-32
14-2	BEARING COVER	SUS 304	38	DISCHARGE OUTLET	FC 200
16	MOTOR CASING	FC 200			

SUBMERSIBLE SLURRY PUMPS

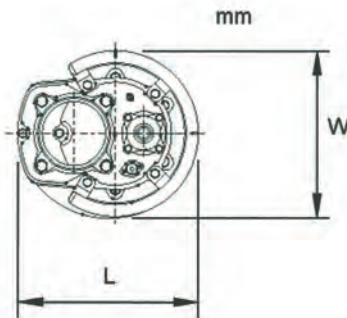
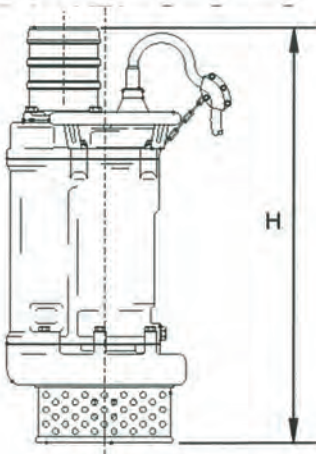
PERFORMANCE CURVE



50Hz

Pump Type	Output KW	Discharge (inch)	Voltage 50Hz	Continuous		Maximum		Max. Solids (mm)	Weight (kg)
				Head m	Capacity L./min	Head m	Capacity L./min		
80KB-H25.5	5.5	3"(80)	3 Phase 400V I 550V	24	660	34	1220	10	115
100KB25.5	5.5	41100)		14	960	22.3	1540	10	115
100KB-H27.5	7.5	41100)		30	570	42.7	1200	10	125
150KB27.5	7.5	61150)		20	1240	31.4	1950	10	125
100KB-H2-110	11	41100)		15	1450	52.7	1500	10	150
150KB2-110	11	61150)		20	1790	41.4	2120	10	150

DIMENSIONS



Pump Type	L	W	H
80KB-H25.5	350	345	720
100KB25.5	350	345	750
100KB-H27.5	370	345	795
150KB27.5	370	345	825
100KB-H2-110	370	345	860
150KB2-110	370	345	890



**HORMA PUMPS
(PTY) LTD**

**Pump Reconditioning and
General Engineering**