

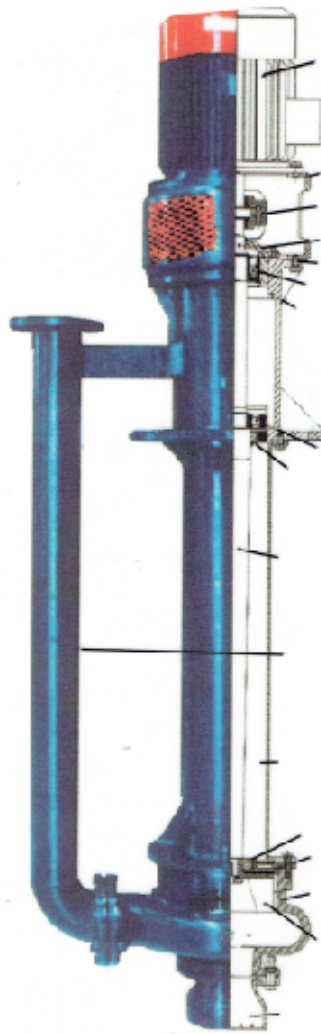


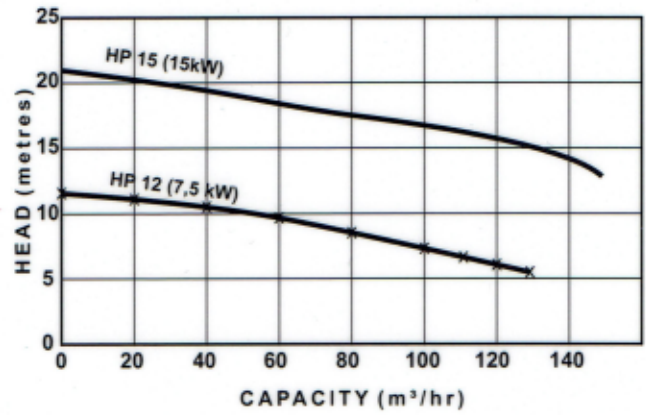
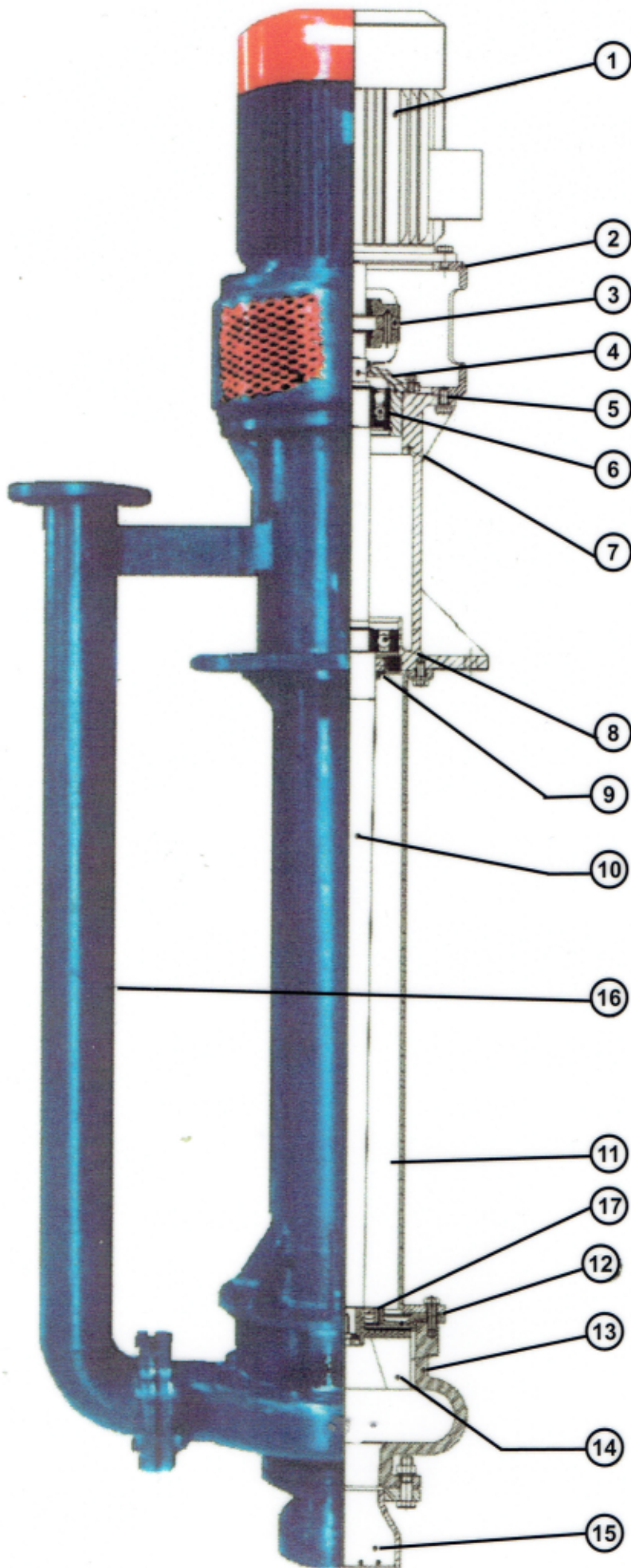
**HORMA PUMPS
(PTY) LTD**

**Pump Reconditioning and
General Engineering**

HP12 & 15

Vortex Vertical Spindle Pump





PARTS LIST

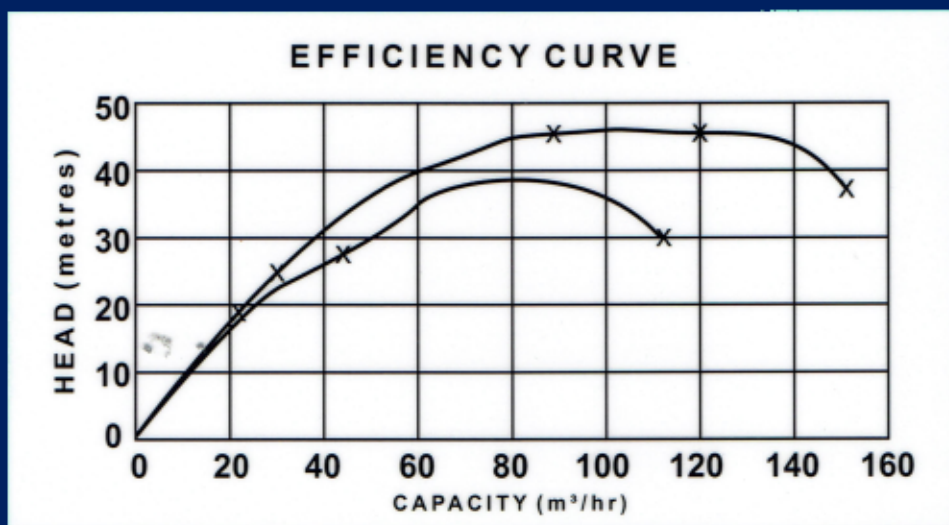
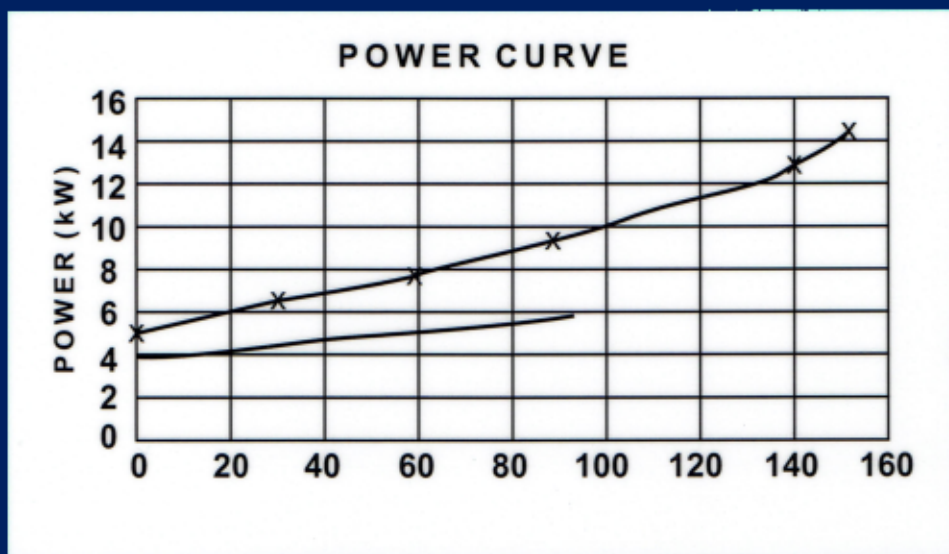
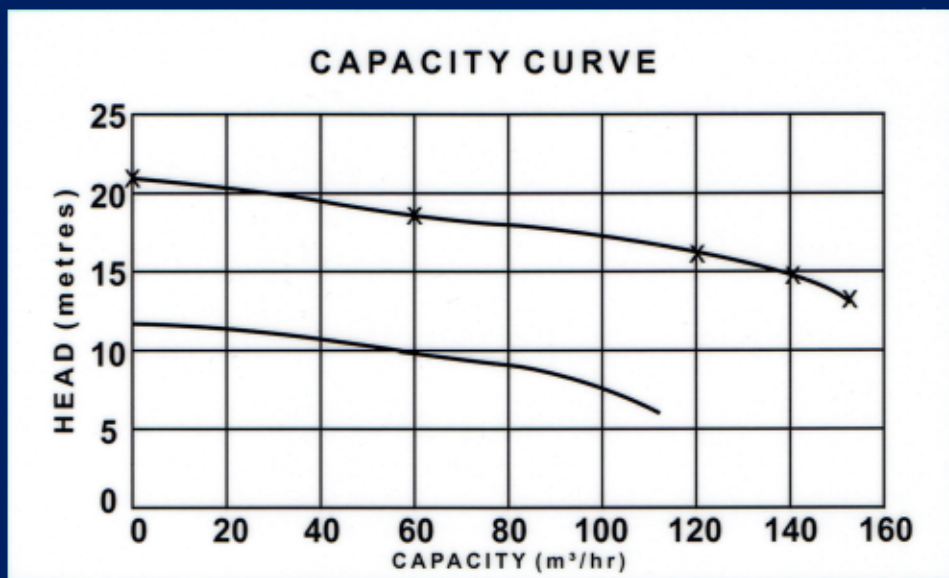
1	MOTOR
2	MOTOR MOUNT
3	COUPLING
4	UPPER DUST SEAL UNIT
5	BEARING CARRIER
6	UPPER BEARING
7	BEARING HOUSING
8	LOWER BEARING
9	LOWER DUST SEAL UNIT
10	SHAFT
11	COLUMN PIPE
12	ADAPTOR PLATE
13	CASING
14	IMPELLER
15	STRAINER
16	DISCHARGE PIPE
17	LOWER BUSH

FEATURES

- Local Manufacture
- Heavy Duty Bearings
- Non Clogging Vortex
- Impeller Can Handle Solids 75mm
- Pump can run Dry
- Pump Liquids of 1:3 S.G.
- Ideal for pumping: Clear water, Slurry, Coal, Fly Ash, Sand, Sewage, Waste Disposal ets.
- Components Spigot together for perfect alignment
- Robust cantilever Shaft Design
- Water level up to mounting plate
- Available with 27% chrome alloy impeller and casing
- Low maintenance cost
- All spare parts stocked
- High head version available on request

HORMA PUMPS

HP 12 & 15 Vortex Vertical Spindle Pumps



**HORMA PUMPS
(PTY) LTD**



HP 15 (15kW)

HP 12 (7.5kW)



**HORMA PUMPS
(PTY) LTD**

**Pump Reconditioning and
General Engineering**